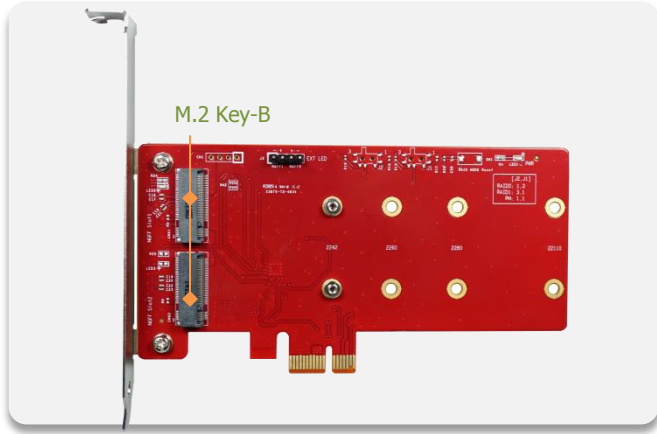


ESPS-3201 PCIe to dual M.2 Module

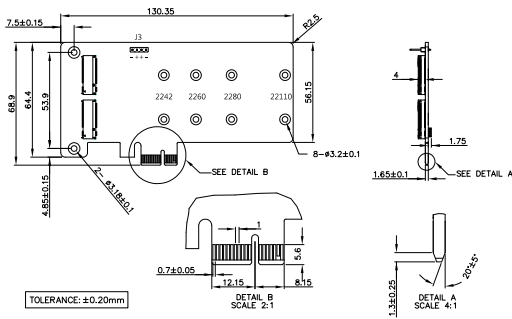


Features

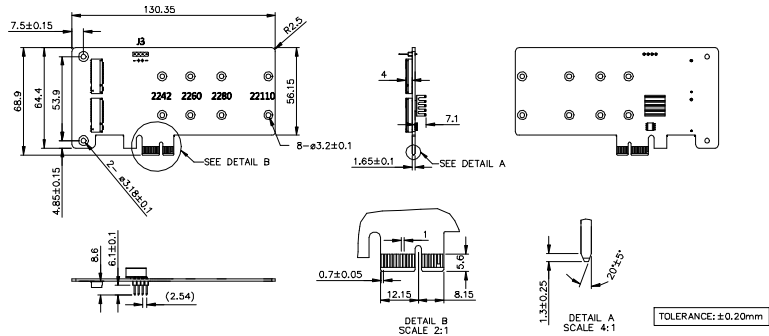
- PCIe to dual M.2 ports.
- Supports M.2 Key-B 2242/2260/2280/22110
- Low power consumption.
- Supports AHCI, Port-Multiplier.
- Supports Native Command Queuing
- Supports wide temp
- 30μ golden finger, 3 years warranty
- Industrial design, manufactured in innodisk Taiwan

Mechanical Drawing

Standard Temp



Wide Temp



Specifications

Headquarters (Taiwan)

5F., No. 237, Sec. 1, Datong Rd.,
Xizhi Dist., New Taipei City 221,
Taiwan
Tel: +886-2-77033000
Email: sales@innodisk.com

Branch Offices:

USA

usales@innodisk.com
+1-510-770-9421

Europe

esales@innodisk.com
+31-040-282-1818

Japan

jpsales@innodisk.com
+81-45-594-7581

China

sales_cn@innodisk.com
+86-755-21673689

www.innodisk.com

© 2014 Innodisk Corporation.
All right reserved. Specifications
are subject to change without
prior notice.

October 14, 2015

Form-Factor	PCIe
Input I/F	PCI Express 2.0
Output I/F	SATA III
Output Connector	M.2 Key-B x 2
TDP	1W (3.3V x 300mA)
Dimension (WxLxH)	Standard Temp: 130.35 x 68.9 x 12 mm, Weight: 45g Wide Temp: 130.35 x 68.9 x 12.75 mm, Weight: 45g
Temperature	Operation: STD: 0°C ~ +70°C WT: -40°C ~ +85°C Storage: -55°C ~ +95°C
Environment	Vibration: 5G @7~2000Hz, Shock: 50G @ 0.5ms
Notes	

Order information

ESPS-3201-C1
PCIe to dual M.2 Module
ESPS-3201-W1
PCIe to dual M.2 Module W/T